



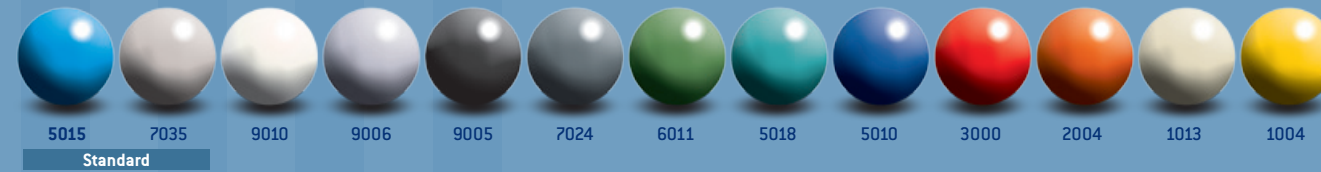
The FLIPLUS shelving allows you to create multi-level installations



From a single bay to much bigger installations... we have the technical abilities and solutions to meet your requirements!



Add a splash of colour: available in a wide range of RAL colours (+5%).



Shelving

Flip · Fliclass · Fliplus



A solution for every storage requirement!



A WEALTH OF KNOWLEDGE AND EXPERTISE AT YOUR FINGERTIPS

www.losteid.be

Flip & Fliclass

General characteristics

Uprights:

"C" Profile 40x20x10x1.5 mm perforated every 62.5 or 31.25 mm.
Load capacity: up to 1500 kg per bay.
Plastic feet.
Galvanised metal feet 80x50.

Shelves:

- **Flip tubular shelves 1**: one piece made of welded tubes 20x20 mm with 4 upright-connectors on the corners. Load capacity: up to 250 kg per level.
- **Fliclass steel sheet shelves 2**: Steel sheet folded and welded with 4 upright-connectors on the corners. Load capacity of 125 to 200 kg UDL per level depending on the configuration.
- **Special shelf: 8 tubes in depth 5**
L. 1340 x D.600 mm – load capacity up to 60 kg.
L. 1340 x D.1200 mm - load capacity up to 120 kg.
Mesh shelves: on request.

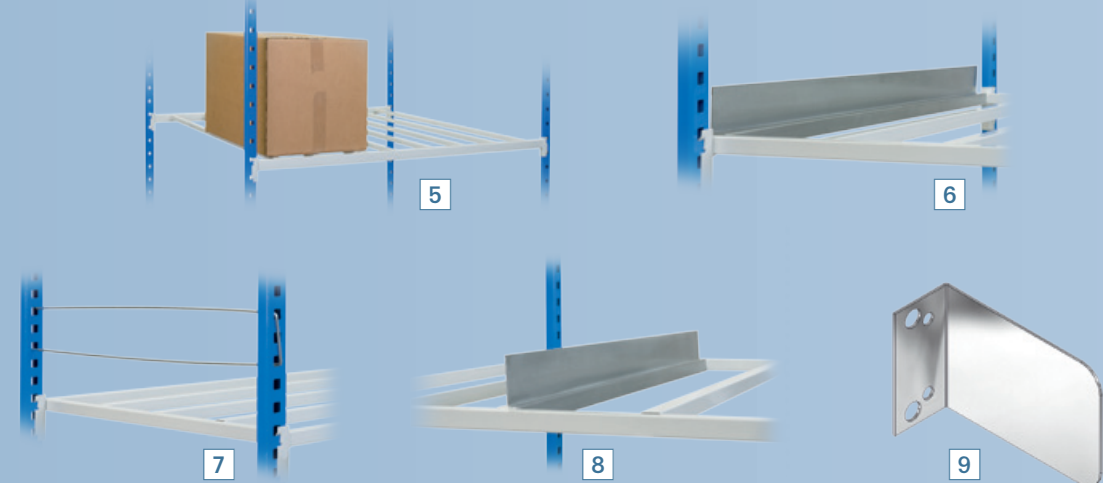
Shelf covers*:

For a better finish and to allow the storage of small, loose items

- Natural hardboard 2.5 mm thick 3
- White hardboard 2.5 mm thick.
- Blue Isoflex 4 (for the storage of humid or greasy products).

Accessories:

- Shelf upper lip* 6
- Side stop: wire diam. 4 mm 7
- Central lip* (to indicate a central divide) 8
- Gangway sign 9
- Back walls and side panels: mesh or white hardboard.
- Steel sheet sliding dividers.
- Side cross brace for shelves with depths of 1000, 1200 and 1500 x 800 mm.



Finish:

Epoxy powder coated in the standard RAL 5015 blue for uprights and RAL 7035 light grey for shelves.

Dimensions:

| | |
|---------|---|
| Heights | From 1000 to 3000 mm in increments of 250 mm |
| Widths | 750, 1000, 1250 or 1500* mm |
| Depths | 300, 366, 400, 500, 600, 700, 800*, 1000* or 1200* mm |

*only for tubular shelves.



Flip shelving with tubular shelves and hardboard covers.



Fliclass shelving with steel sheet shelves.



Flip and Fliclass are fully compatible with each other.

- ▷ Quick and easy assembly, without screws or bolts
- ▷ The shelves simply click into the uprights
- ▷ The Flip and Fliclass shelves are fully compatible with each other
- ▷ No cross braces for easy access from both sides
- ▷ Shelves can be added, moved or removed entirely without needing to disassemble the entire system.
- ▷ Wide range of dimensions to ensure an optimised installation and reduced costs.



The 366 mm deep steel sheet shelf is suitable for suspended files.

Fliplus

The heavy-duty shelving system



General characteristics

Uprights:

"C" Profile 50x30x15x1.5 mm perforated every 62.5 or 31.25 mm.
Load capacity: up to 2500 kg per bay.

Shelves:

All the shelves are of tubular design with 4 upright-connectors and 2 clamps for the 250 kg version and 3 clamps for the 500 kg version.

- **Tubular, 250 kg version**: one piece made from welded tubes 20x20 mm. Particularly suitable for high-bay storage and multi-level installations.
- **Tubular, 500 kg version 12**: one piece made from welded tubes 35x20 and 20x20 mm.
- **Steel sheet 13**: steel sheet folded and welded on the 500 kg tubular version.
- **Mesh 14** 50x50 mm with 3 mm diameter wire welded under the tubular 500 kg version. Ideal for storage in warehouses fitted with sprinkler systems. Also maintain the brightness in the warehouse. Avoid the accumulation of dust. Shelf load capacity: up to 500 kg per level depending on the configuration.

Shelf covers:

- Natural hardboard 2.5 mm thick.
- Galvanised steel sheet 0.8 mm thick.
- Chipboard 8 mm thick.

Accessories:

- Plastic feet.
- Welded metal feet.
- Galvanised metal feet 110x50x3 mm.
- Side cross brace.
- Stops (central, front/back, sides) see Flip accessories.
- Back walls and side panels.
- Safety pins.

Finish:

Epoxy powder coated in the standard RAL 5015 blue.

Dimensions:

| | |
|---------|---|
| Heights | From 1000 to 8000 mm in increments of 250 mm |
| Widths | 760*, 1010, 1260 or 1510* mm |
| Depths | 300*, 366*, 400, 500, 600, 700, 800, 1000 or 1200* mm |

*only for tubular shelves.

